



# CPY SERIES

LED CANOPY & SOFFIT LUMINAIRE

Lighting the way to your site and maximum savings

**CREE**  TM





### LED Canopy & Soffit Luminaire

## LIGHTING THAT SUCCEEDS ON MANY DIFFERENT LEVELS.

#### OUTSTANDING PERFORMANCE

Capable of saving more than 68 percent energy compared to traditional source technologies and up to 35 percent compared to first generation LED, the CPY250® canopy luminaire also provides improved lighting quality that contributes to creating a safe and inviting site.

#### UNBEATABLE VALUE

Affordable to implement, the CPY250® LED luminaire was engineered to optimize both illumination and economic performance. The result is unbeatable value that contributes to a more profitable bottom line.

#### EXCEPTIONAL RELIABILITY

The CPY Series is built to provide more than a decade of near maintenance-free service. And it's backed by our industry leading 10-year limited warranty.

#### EASY INSTALLATION

Designed for ease of installation and versatility, the CPY250® LED Canopy luminaire can seamlessly mount directly to virtually any canopy.



Flat Lens



Drop Lens

# DRAMATIC LIGHTING, OPERATIONAL SAVINGS.

By blending technological innovation with architectural aesthetics, the CPY250® LED Canopy Luminaire achieves superior illumination performance with a low total cost of ownership and dramatically better visibility.

## QUICK AND RELIABLE INSTALLATION

- Integrated driver
- Self-sealing screws
- Mounts to virtually any canopy deck

## FLAT LENS

- Tempered textured glass
- Increased customer visibility of the site
- Helps in delivering a comfortable safe visual environment

## SUPERIOR THERMAL MANAGEMENT

- High performance heat sink
- Improves lumen performance and reliability

## STATE-OF-THE-ART CREE LEDS

- Industry-leading LED portfolio
- High performance and proven reliability
- Optimized for lighting applications

## OPTIONAL MULTI-LEVEL

- Reduced light levels and energy costs when the coverage area is vacant
- Ambient and occupancy control

## AVAILABLE MOUNTING OPTIONS

### STANDARD:

**DIRECT MOUNT**  
Mounts directly to the canopy deck in a 51mm to 102mm round hole and is secured in place with self-sealing screws.

### ACCESSORIES:

**BUSWAY MOUNT**  
Stainless steel kit for surface/ busway mounting

**RECESSED MOUNT**  
Retrofit kit for recessed mounting



**DROP LENS**  
Molded glass with prismatic contours




# BEAUTIFUL AESTHETICS, RUGGED CONSTRUCTION.


The CPY Series delivers over 19,000 lumens of beautiful, high-quality light with superior efficiency. With rugged cast aluminum construction and an integral heat sink, the CPY250® LED Canopy/Soffit luminaire can withstand the most challenging outdoor environments. Available with a flat or prismatic drop lens, the luminaire provides two aesthetics to meet visual and illumination performance needs. The slim, low profile design enhances curb appeal, while offering seamless installation.

PERFORMANCE SUMMARY
<b>CRI:</b> Minimum 70 CRI
<b>CCT:</b> 4000K (+/- 300K), 5700K (+/- 500K)
<b>Delivered Light Output:</b> 7,751 to 19,652 lumens
<b>System Watts:</b> 65W, 94W, 140W
<b>Controls:</b> 1-10V dimming
<b>Input Voltage:</b> 220-240V
<b>Mounting:</b> Direct and surface / busway mount
<b>Limited Warranty:</b> 10 years on luminaire / 10 years on Colorfast DeltaGuard® finish*
<b>IP Rating:</b> IP66


### APPLICATIONS



**Petroleum & Convenience Store**  
Stand out in the crowd. A well-lit canopy and car wash can be inviting for potential customers. Welcome them with a visually appealing site that leads to a greater success in the C-store.



**Banks**  
The CPY Series ensures exterior canopies, drive-thrus and ATMs are always brightly illuminated, so customers feel completely secure using them. Dimming control options allow you to save more energy during low-traffic periods to help boost your bottom line.



**Hospitality/Facilities**  
With optimum illumination and clean architectural blending, the CPY Series delivers impressive first impressions for visitors, while also promoting safe and secure exteriors for pedestrians, putting your facilities in a whole new light.

## CONSTRUCTION & MATERIALS

- Slim, low profile design
- Easy mounting and servicing from below the deck
- Luminaire housing is constructed of rugged cast aluminum with integral heat sink specifically designed for LED
- Flat lens is 3mm tempered Solite® glass
- Drop lens is 4mm molded borosilicate glass
- Direct mount is suitable for use in single or double skin canopies with a minimum 102mm wide panels and a minimum 22 gauge, 0.7mm canopy thickness
- Direct mount luminaire mounts directly to the canopy deck with the drilling of a single 51mm to 102mm round hole, is secured in place with self-sealing screws that provide a weathertight seal and includes 19mm conduit entry for direct wire feed
- Exclusive Colorfast DeltaGuard® finish features an E-Coat epoxy primer with an ultra-durable powder topcoat, providing excellent resistance to corrosion, ultraviolet degradation and abrasion. Black, bronze, silver, silver bronze and white are available
- Weight: 5.7kg

## ELECTRICAL SYSTEM

- **Input Voltage:** 220-240V, 50/60Hz
- **Power Factor:** > 0.9 at full load
- **Total Harmonic Distortion:** < 20% at full load
- **Surge Suppression Protection:** Standard Integral 6kV (10kV on request)
- **Operating Temperature Range:** A Input Power Designator: -40°C to +40°C (direct mount to plywood), -40°C to +45°C (direct mount to sheet metal); B & E Input Power Designators: -40°C to +35°C (plywood), -40°C to +40°C (sheet metal)
- **WARNING:** Exceeding maximum operating temperature may result in thermal foldback

## CONTROLS

- Continuous dimming to 10% with 1-10V DC control protocol

## REGULATORY & VOLUNTARY QUALIFICATIONS

- CE Listed
- Suitable for wet locations
- Enclosure rated IP66 per IEC 60529
- 6kV surge suppression protection tested in accordance with IEEE/ANSI C62.41.2
- Luminaire and finish endurance tested to withstand 5,000 hours of elevated ambient salt fog conditions as defined in ASTM Standard B 117
- RoHS compliant. Consult factory for additional details

## ACCESSORIES

### DIRECT MOUNT - BEAUTY PLATE

Metal plate for replacing surface-mounted HID luminaires.  
**XA-BXCCBPW** - 665mm Beauty Plate  
**XA-BXCCBPB12W** - Beauty Plate w/ 305mm Backer  
**XA-BXCCBPB16W** - Beauty Plate w/ 406mm Backer



### RECESSED or SURFACE/BUSWAY MOUNT - ACCESSORY KIT

Retrofit kit for recessed mounting.  
**RTF-RCS-A0-CPY**

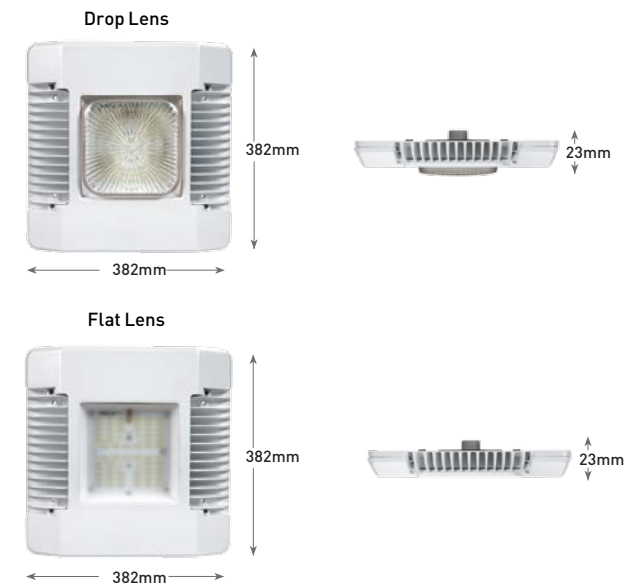
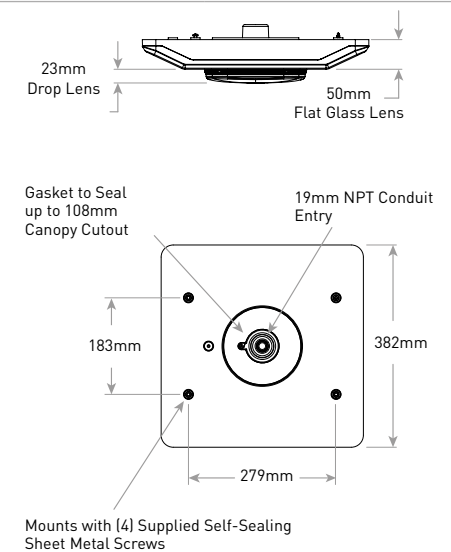


Kit for surface/busway mounting.  
**PM-BCPY-I-R0** - Stainless steel kit  
**PM-BCPY-V-R0** - Galvanized sheet kit

### HAND-HELD REMOTE

**XA-SENSREM** - For successful implementation of the programmable multi-level option, a minimum of one hand-held remote is required.

## DIMENSIONS



## ORDERING INFORMATION

Example: XCCB0AA+4W7

Product	Version	Mounting	Optic	Input Power Designator	Insulation Class	Voltage	Color Options	Control Options	Surge suppression	Color Temperature
XCC	B	0 Direct	A Flat lens D Drop lens	A 65W B 94W E 140W	+ Class 1	4 220-240V	W White S Silver T Black Z Bronze B Silver Bronze	No code Fixed power Y 1-10V Dimming - Control by others E Sensor with remote control - Flux dimming with occupancy sensor with remote control (to complete with remote control XA-SENSREM)	No code 6kV surge suppressor U 10kV surge suppressor	No code 5700K 7 4000K

Visit [www.cree-europe.com](http://www.cree-europe.com) or contact a Cree lighting representative to learn more.

© 2018 Cree, Inc. All rights reserved. For informational purposes only. Not a warranty or specification. See [www.cree-europe.com](http://www.cree-europe.com) for warranty and specifications. Cree®, CPY250® and Colorfast DeltaGuard® are registered trademarks and the Cree logo is a trademark of Cree, Inc.  
Rev. Date: January 2018

