

# 304 Series™

Industrial plants and car parks – Mounting 4 - 15

## Product Description

Cree 304 Series is a fixture with a sober and extremely versatile design. Luminaire is constructed from rugged die-cast and extruded aluminum components. LED driver is mounted in a sealed weathertight center chamber that allows for access from below the luminaire. Its mounting system features a stainless steel adjustable bracket allowing adjustment through 180° in increment of 5°. The product's technical and mechanical properties make it particularly well suited for lighting locations subject to critical conditions as vibrations, strong wind for example bridges, tunnels, etc.

## Performance Summary

Utilizes BetaLED® Technology

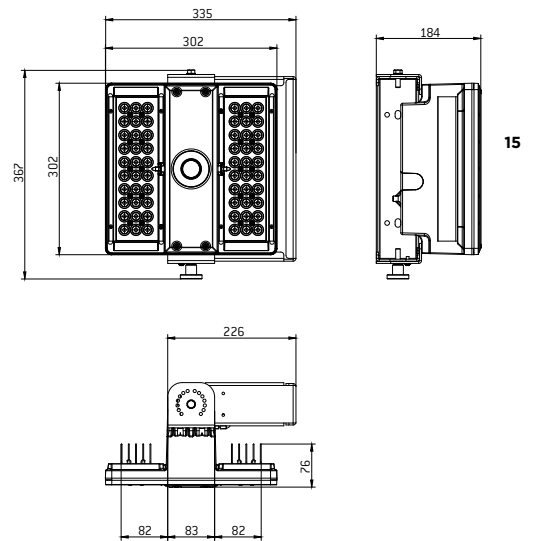
Patented NanoOptic® Product Technology

**CRI:** Minimum 70 CRI

**CCT:** 5700K (+/- 500K) Standard, 4000K (+/- 300K)

**Limited Warranty†:**

10 years on luminaire / 10 years on Colorfast DeltaGuard® finish



## Ordering Information

Example: 30X15404E43DWHI5

30	X	15	4	04	E	43	WH	I5
Product	Insulation Class	Optic	Mounting	LED count x 10	GEN	Options	Color Options	Drive Current
30	x Class 1	15	4 Adjustable mounting system for ceiling or wall application or application on light beams or pole arms	04 06	E	<b>no code</b> 5700K <b>43</b> 4000K Color Temperature - Color temperature per luminaire <b>D</b> 1-10V Dimming - Control by others - Refer to dimming spec sheet for availability and additional information - Can't exceed specified drive current <b>K#</b> Light Control with Occupancy Sensor - Flux dimming control with occupancy sensor <b>E</b> Light Control with Occupancy Sensor with remote control - Flux dimming control with occupancy sensor with remote control <b>N#</b> Reprogrammable Virtual Midnight - Reprogrammable 2 levels option with virtual midnight	<b>WH</b> White (Standard) <b>SV</b> Silver <b>BK</b> Black <b>BZ</b> Bronze <b>SB</b> Silver Bronze	<b>no code</b> 700mA <b>I5</b> 525 mA <b>I3</b> 350 mA

† See [www.cree-europe.com](http://www.cree-europe.com) for warranty terms



Rev. Date: 11 April 2014



## Product Specifications

### CONSTRUCTION & MATERIALS

- Constructed from rugged die cast and extruded aluminum components
- LED driver is mounted in a sealed weathertight center chamber that allows for access from below the luminaire
- High performance heat sinks specifically designed for LED parking structure application
- Mounting 4: the mounting system features a stainless steel adjustable bracket allowing adjustment through 180° in increments of 5°
- Exclusive Colorfast DeltaGuard® finish features an E-Coat epoxy primer with an ultra-durable powder topcoat, providing excellent resistance to corrosion, ultraviolet degradation and abrasion. Available colours are White, Silver, Silver Bronze, Bronze and Black

### ELECTRICAL SYSTEM

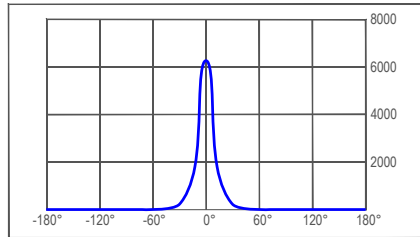
- **Input Voltage:** 220-240V, 50/60Hz
- **Power Factor:** > 0.9 at full load
- **Total Harmonic Distortion:** < 20% at full load
- Integral 10kV surge suppression protection standard
- To address inrush current, slow blow fuse or type C / D breaker should be used

### REGULATORY & VOLUNTARY QUALIFICATIONS

- CE / ENEC Listed
- Enclosure rated IP66 per IEC 60529
- 10kV surge suppression protection tested in accordance with IEEE /ANSI C62.41.2
- Luminaire and finish endurance tested to withstand 5,000 hours of elevated ambient salt fog conditions as defined in ASTM Standard B 117
- RoHS Compliant

## Photometry

All published luminaire photometric testing performed to IESNA LM-79-08 standards by a NVLAP certified laboratory.



cd/klm  
CO - C180

30X15404E43  
Initial Delivered Lumens: 8096  
ITL Test Report #: 9456

**IES Files**  
To obtain an IES file specific to your project, please consult [www.cree-europe.com](http://www.cree-europe.com)

## Weight

LED Count (x10)	Weight
04	10,40 Kg
06	

## Lumen Output, Electrical, and Lumen Maintenance Data

Effective Flux (lm) - 15 Distribution						
LED Count (x10)	5700K	4000K	System Watts 220-240V	Total Current (A)	50K Hours Projected Lumen Maintenance Factor @ 15°C (59°F)	L <sub>70</sub> Life* (hours)
	Delivered Lumens	Delivered Lumens		230V		
<b>350mA @ 25°C (77°F)</b>						
04	5341	5181	46	0.21	94%	>150000
06	8011	7772	66	0.31		
<b>525mA @ 25°C (77°F)</b>						
04	7690	7461	70	0.30	93%	149000
06	11536	11191	99	0.45		
<b>700mA @ 25°C (77°F)</b>						
04	9747	9456	91	0.40	91%	129000
06	14620	14183	132	0.60		

\* Based on fixture operating at 25° C