

304 Series™

Canopy Luminaire – Mounting R - Recessed Mount for canopy - QVS (Type V Short)

Product Description

The Cree 304 Series version with recessed mounting system is a fixture designed to optimize the use of LED technology for lighting petrol station forecourt canopies. Luminaire is constructed from rugged die-cast and extruded aluminum components. LED driver is mounted in a sealed weathertight center chamber that allows for access from below the luminaire. High performance heatsinks specifically designed for LED canopy application. Luminaire mounts directly to the canopy deck and is secured in place with diecast aluminum trim frame. Luminaire housing is provided with factory applied foam gasket and provides for a watertight seal between luminaire housing and canopy deck. In general, the 304 Series is the ideal solution for recessed mounting in metal suspended ceilings with a maximum thickness of 1 mm. A retrofit kit is available for 1 to 38 mm thickness and for any kind of ceiling.

Performance Summary

Utilizes BetaLED® Technology

Patented NanoOptic® Product Technology

CRI: Minimum 70 CRI

CCT: 5700K (+/- 500K) Standard, 4000K (+/- 300K)

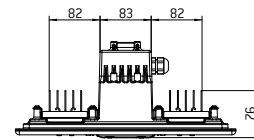
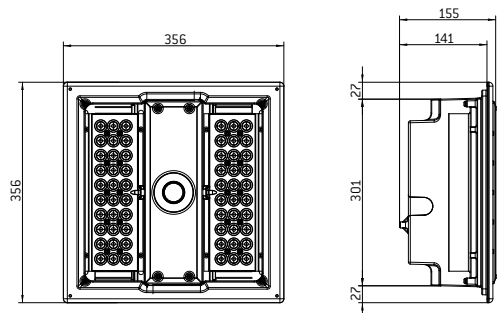
Limited Warranty†:

10 years on luminaire / 10 years on Colorfast DeltaGuard® finish

Accessories

Field Installed Accessories

RTF-RCS-A1-304##
- Retrofit kit



Ordering Information

Example: 30XQVSR04E43DWHI5

30	X	QVS	R	04	E	43	WH	I5
Product	Insulation Class	Optic	Mounting	LED count x 10	GEN	Options	Color Options	Drive Current
30	x Class 1	QVS Type V Short	R Recessed mount	04 06	E	no code 5700K 43 4000K Color Temperature - Color temperature per luminaire D 1-10V Dimming - Control by others - Refer to dimming spec sheet for availability and additional information - Can't exceed specified drive current K# Light Control with Occupancy Sensor - Flux dimming control with occupancy sensor E Light Control with Occupancy Sensor with remote control - Flux dimming control with occupancy sensor with remote control N# Reprogrammable Virtual Midnight - Reprogrammable 2 levels option with virtual midnight	WH White (Standard) SV Silver BK Black BZ Bronze SB Silver Bronze	no code 700mA I5 525 mA I3 350 mA

† See www.cree-europe.com for warranty terms

Canopy Luminaire – Mounting R - Recessed Mount for canopy - QVS (Type V Short)

Product Specifications

CONSTRUCTION & MATERIALS

- Luminaire is constructed from rugged die cast and extruded aluminum components. LED driver is mounted in a sealed weathertight center chamber that allows for access from below
- High performance heat sinks specifically designed for LED canopy application
- Luminaire mounts directly to the canopy deck and is secured in place with die-cast aluminum trim frame
- Luminaire housing is provided with factory applied foam gasket and provides for a watertight seal between luminaire housing and canopy deck
- Suitable for use in single and double skin canopies
- Designed for canopies of maximum 1mm thickness
- Exclusive Colorfast DeltaGuard® finish features an E-Coat epoxy primer with an ultra-durable powder topcoat, providing excellent resistance to corrosion, ultraviolet degradation and abrasion. Available colours are White, Silver, Silver Bronze, Bronze and Black

ELECTRICAL SYSTEM

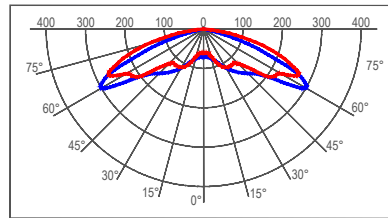
- Input Voltage:** 220-240V, 50/60Hz
- Power Factor:** > 0.9 at full load
- Total Harmonic Distortion:** < 20% at full load
- Integral 10kV surge suppression protection standard
- To address inrush current, slow blow fuse or type C / D breaker should be used

REGULATORY & VOLUNTARY QUALIFICATIONS

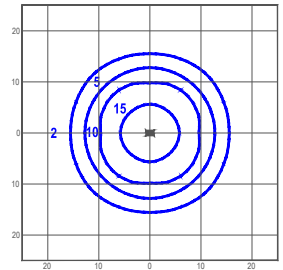
- CE / ENEC Listed
- Enclosure rated IP66 per IEC 60529
- 10kV surge suppression protection tested in accordance with IEEE /ANSI C62.41.2
- Luminaire and finish endurance tested to withstand 5,000 hours of elevated ambient salt fog conditions as defined in ASTM Standard B 117
- RoHS Compliant

Photometry

All published luminaire photometric testing performed to IESNA LM-79-08 standards by a NVLAP certified laboratory.



cd/klm
 — CO - C180 — C90 - C270



lux

ITL Test Report #: 68092

30XQVSR04E43
 Mounting Height: 6m
 Initial Delivered Lumens: 9083

IES Files

To obtain an IES file specific to your project, please consult www.cree-europe.com

Weight

LED Count (x10)	Weight
04	7,40 Kg
06	

Lumen Output, Electrical, and Lumen Maintenance Data

Effective Flux (lm) - QVS (Type V Short) Distribution						
LED Count (x10)	5700K	4000K	System Watts 220-240V	Total Current (A)	50K Hours Projected Lumen Maintenance Factor @ 15°C (59°F)	L ₇₀ Life* (hours)
	Delivered Lumens	Delivered Lumens		230V		
350mA @ 25°C (77°F)						
04	5130	4977	46	0.21	94%	>150000
06	7696	7466	66	0.31		
525mA @ 25°C (77°F)						
04	7388	7167	70	0.30	93%	149000
06	11082	10751	99	0.45		
700mA @ 25°C (77°F)						
04	9363	9083	91	0.40	91%	129000
06	14044	13625	132	0.60		

* Based on fixture operating at 25° C