

LEDway® Road

IP66 Street Light - Adjustable Arm Mount - TMB (Type II Medium w/ BLS)

Product Description

Luminaire housing is all aluminum construction. All components are mercury free and recyclable. Sharp profile for low wind exposure. Toolless entry. Provided with a tenon mounting system that allows for direct arm or pole-top installation (90°) on cylindrical poles and arms with a diameter of 60mm. The adjustable bracket allows the fixture to be tilted by increments of 5° in order to maintain a horizontal position with respect to the ground, making it ideal for retrofit installations as well.

Performance Summary

Utilizes BetaLED® Technology

Patented NanoOptic® Product Technology

CRI: Minimum 70 CRI

CCT: 5700K (+/- 500K) Standard, 4000K (+/- 300K)

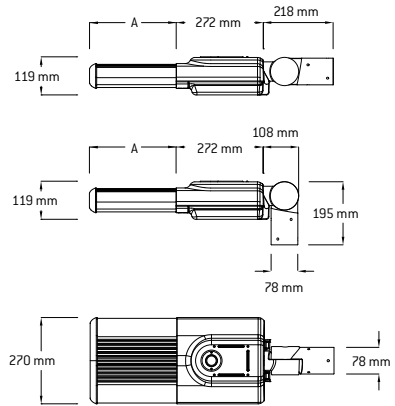
Warranty*:

Class 1 - 10 years on luminaire/10 years on Colorfast DeltaGuard® finish
Class 2 - 5 years on luminaire/10 years on Colorfast DeltaGuard® finish

Accessories

Field Installed Accessories

BRDSPK30 Bird Spikes for Light Engine, 20-30 LEDs	KIT ADATT. PALO 34MM Adaptor Kit for dia. 34mm poles
BRDSPK60 Bird Spikes for Light Engine, 40-60 LEDs	KIT ADATT. PALO 42MM Adaptor Kit for dia. 42mm poles
BRDSPK120 Bird Spikes for Light Engine, 80-120 LEDs	KIT ADATT. PALO 48MM Adaptor Kit for dia. 48mm poles
BRDSPKHSG Bird Spikes for Housing	



LED Count	Dimension	Measurement	Weight
20	"A"	156mm	7,52kg
30		156mm	7,92kg
40		270mm	9,22kg
50		270mm	10,42kg
60		270mm	10,52kg
80		552mm	14,72kg
90		552mm	14,82kg
100		552mm	14,92kg
110		552mm	15,02kg
120		552mm	15,12kg

Ordering Information

Example: LXDTFMB702EGSV15

L	X	D	TMB	7	02	E	G	SV	I5
Product	Insulation Class	Model	Optic	Mounting	LED Count (x10)	Version	Options <i>(consult company for available options)</i>	Color Options*	Drive Current
LEDway	X Class 1 Y Class 2	D Road	TMB Type II Medium with Backlight Shield	7	02 03 04 05 06 08 09 10 11 12	E	No code 5700K 43 4000K K# Light Control with Occupancy Sensor** - Flux dimming control with occupancy sensor D# Power Line Communication System (PLC) - Power line control system with dimmable driver G# Bi-Level Control - Two distinct power levels, High/Low D Dimmable Driver - Dimmable driver 1-10V with external controller S# Virtual Midnight - Two levels option with virtual midnight - Available up to 100 LEDs in class 1 - Available up to 60 LEDs in class 2 T# Reprogrammable Virtual Midnight - Reprogrammable 2 levels option with virtual midnight R# Flux Dimming - Integral dimming system with plants including flux regulators - Available up to 100 LEDs in class 1 - Available from 80 to 120 LEDs in class 2	SV Silver (Standard) BK Black BZ Bronze SB Silver Bronze WH White	No Code 700mA I5 525mA I3 350mA

* Light engine portion of extrusion is not painted and will remain natural aluminum regardless of color selection

* See www.cree.com/lighting for warranty terms

** Not available in Class 2



Rev. Date: 14 March 2014



IP66 Street Light - Adjustable Arm Mount - TMB (Type II Medium w/ BLS)

Product Specifications

BETALED® TECHNOLOGY

LEDway® Road luminaires are powered by BetaLED® Technology delivering outstanding illumination, lasting performance and optimum energy efficiency. Patented NanoOptic® technology optimizes target illumination, performance and offers flexibility with multiple optic choices. NanoOptic compliant with light pollution and photobiological safety standards

CONSTRUCTION & MATERIALS

- Housing is all aluminum construction
- Designed with 1-10V dimming capabilities. Controls by others
- Adjustable mounting arm is rugged die cast aluminum and mounts to a 60mm outer dimension tenon
- Exclusive Colorfast DeltaGuard® finish features an E-Coat epoxy primer with an ultradurable powder topcoat, providing excellent resistance to corrosion, ultraviolet degradation and abrasion. Standard is silver. Bronze, black, white, and silver bronze are also available

ELECTRICAL SYSTEM

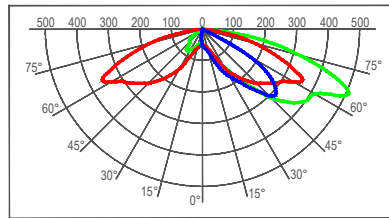
- **Input Voltage:** 220 - 240Vac (capable 120-277Vac, please consult company for available configurations) 50/60Hz
- **Power Factor:** > 0.9 at full load
- **Total Harmonic Distortion:** < 20% at full load
- Quick disconnect harness suitable for mate and break under load provided on power feed to driver for ease of maintenance

REGULATORY & VOLUNTARY QUALIFICATIONS

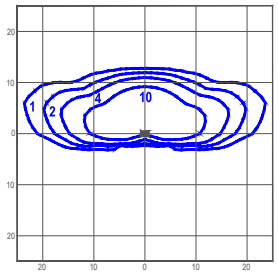
- CE Listed
- ENEC Listed only for class II
- Enclosure rated IP66 per IEC 60529
- 10kV surge suppression protection tested in accordance with IEEE/ANSI C62.41.2, for Class I only
- Luminaire and finish are endurance tested to withstand 5,000 hours of elevated ambient salt fog as defined in ASTM Standard B 117
- RoHS Compliant

Photometry

All published luminaire photometric testing performed to IESNA LM-79-08 standards by a NVLAP certified laboratory.



cd/klm
 — C0 - C180 — C90 - C270 — C15 - C195



lux

ITL Test Report #: 77236

LXDTMB706E43
 Mounting Height: 6m
 Initial Delivered Lumens: 8401

IES Files

To obtain an IES file specific to your project, please consult www.cree-europe.com

Effective Flux (lm) - TMB (Type II Medium w/ Backlight Shield) Distribution								
LED Count (x10)	5700K		4000K		Total Current (A) 230V	50K Hours Projected Lumen Maintenance Factor @ 15°C (59°F)		
	Delivered Lumens	Delivered Lumens	System Watts 220-240V					
350mA @ 25°C (77°F)								
02	1582	1535	25	0.13	94%	>150000		
03	2373	2302	35	0.17				
04	3163	3069	46	0.21				
05	3954	3836	56	0.27				
06	4745	4604	66	0.31				
08	6327	6138	89	0.42				
09	7118	6905	99	0.46				
10	7909	7673	108	0.52				
11	8700	8440	117	0.58				
12	9490	9207	126	0.62				
525mA @ 25°C (77°F)								
02	2278	2210	37	0.17			93%	149000
03	3417	3315	52	0.24				
04	4555	4419	70	0.30				
05	5694	5524	86	0.39				
06	6833	6629	99	0.45				
08	9111	8839	141	0.59				
09	10250	9944	157	0.65				
10	11388	11049	172	0.74				
11	12527	12153	187	0.83				
12	13666	13258	203	0.89				
700mA @ 25°C (77°F)								
02	2887	2800	49	0.23	91%	129000		
03	4330	4201	70	0.32				
04	5773	5601	91	0.40				
05	7217	7001	112	0.52				
06	8660	8401	132	0.60				
08	11547	11202	183	0.79				
09	12990	12602	203	0.86				
10	14433	14002	224	1.02				
11	15877	15403	243	1.12				
12	17320	16803	264	1.26				

* Based on fixture operating at 25°C

Maximum Wind Area (lateral surface exposed to wind):		
LED Count (x10)	Arm Mount	Pole Top Mount
02 03	0.051 m2	0.061 m2
04 05 06	0.060 m2	0.070 m2
08 09 10 11 12	0.080 m2	0.090 m2

